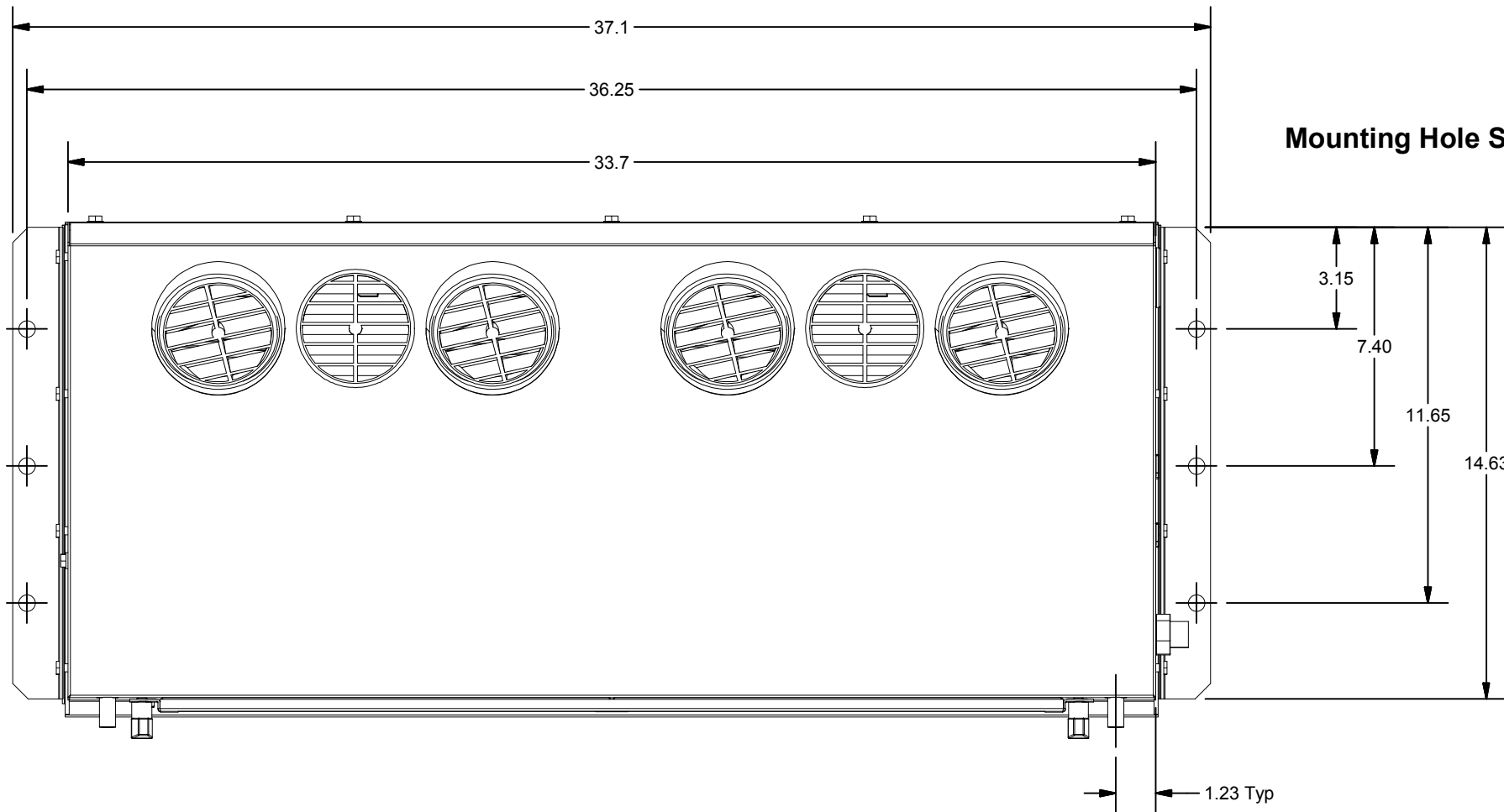
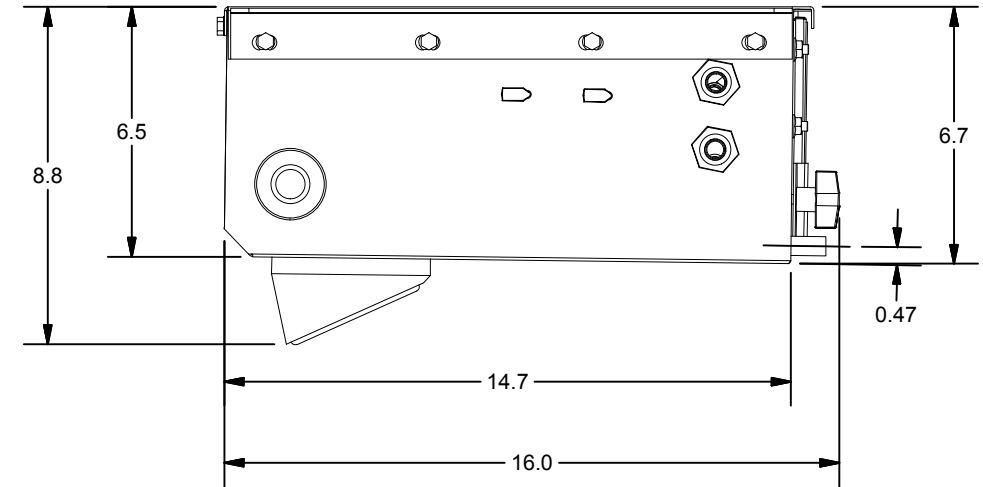
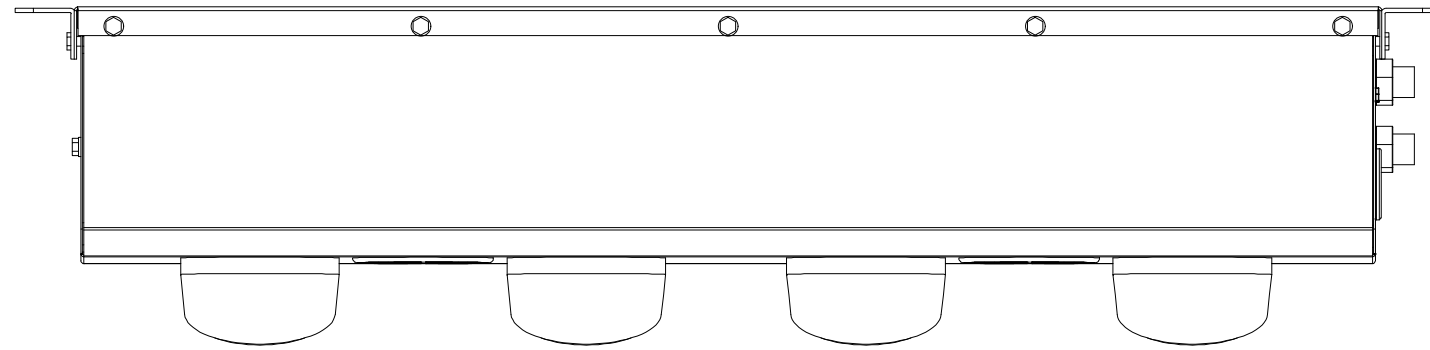
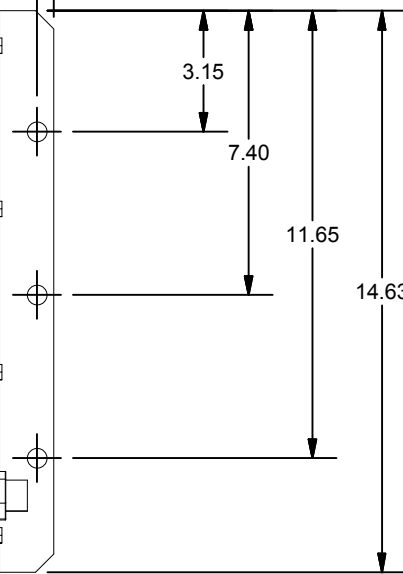



# 331-A FOOTPRINT AND MOUNTING INFORMATION



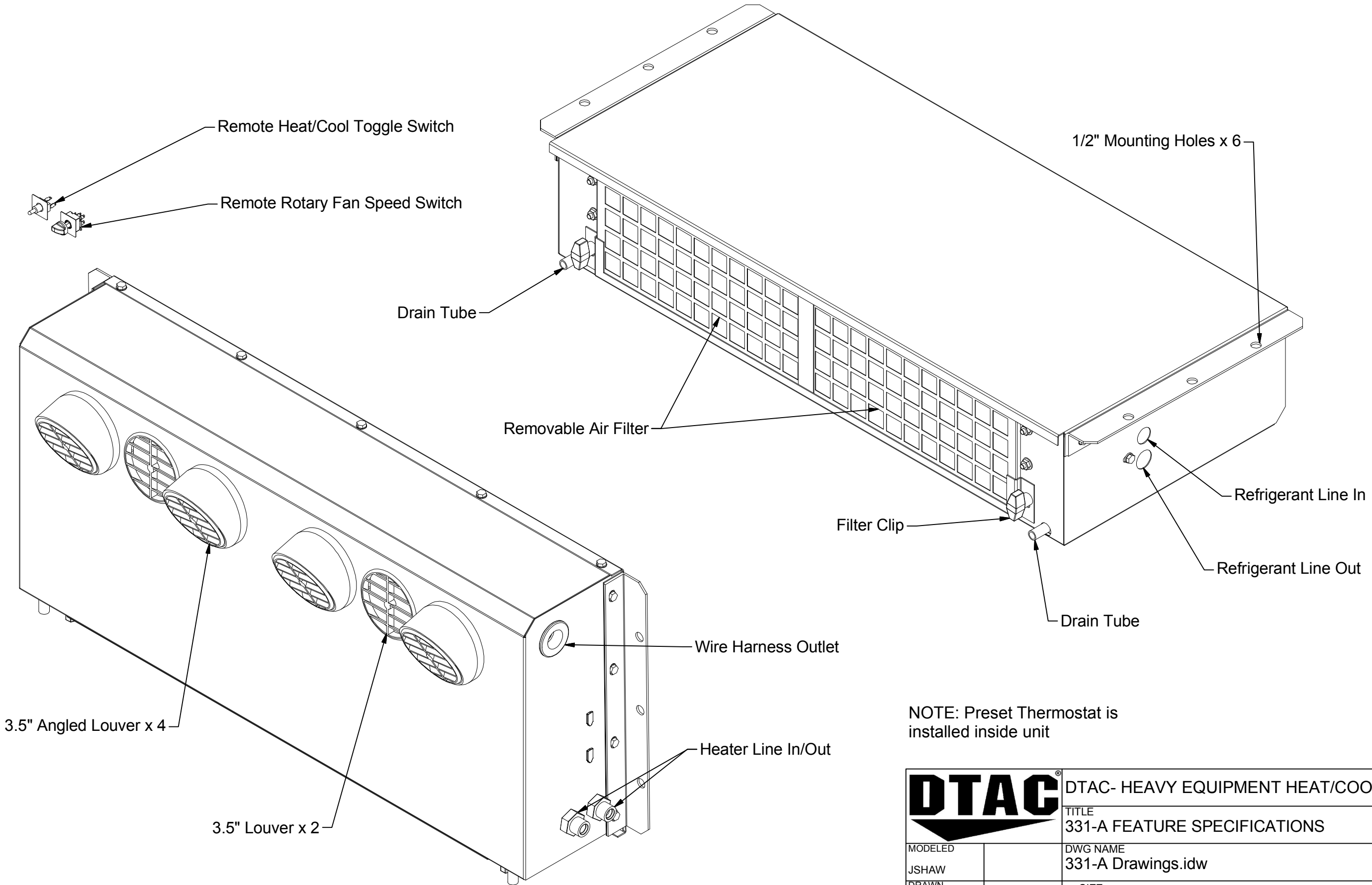
## Mounting Hole Spacing



Mounting Specifications	
Quantity	Description
6	1/2" DIA HOLE- NO THREADS

		DTAC- HEAVY EQUIPMENT HEAT/COOL SYSTEMS	
		TITLE 331-A FOOTPRINT AND MOUNTING INFORMATION	
MODELED	JSHAW	DWG NAME 331-A Drawings.idw	
DRAWN		5/24/2013	SIZE B
JSHAW			SHEET 1 OF 4

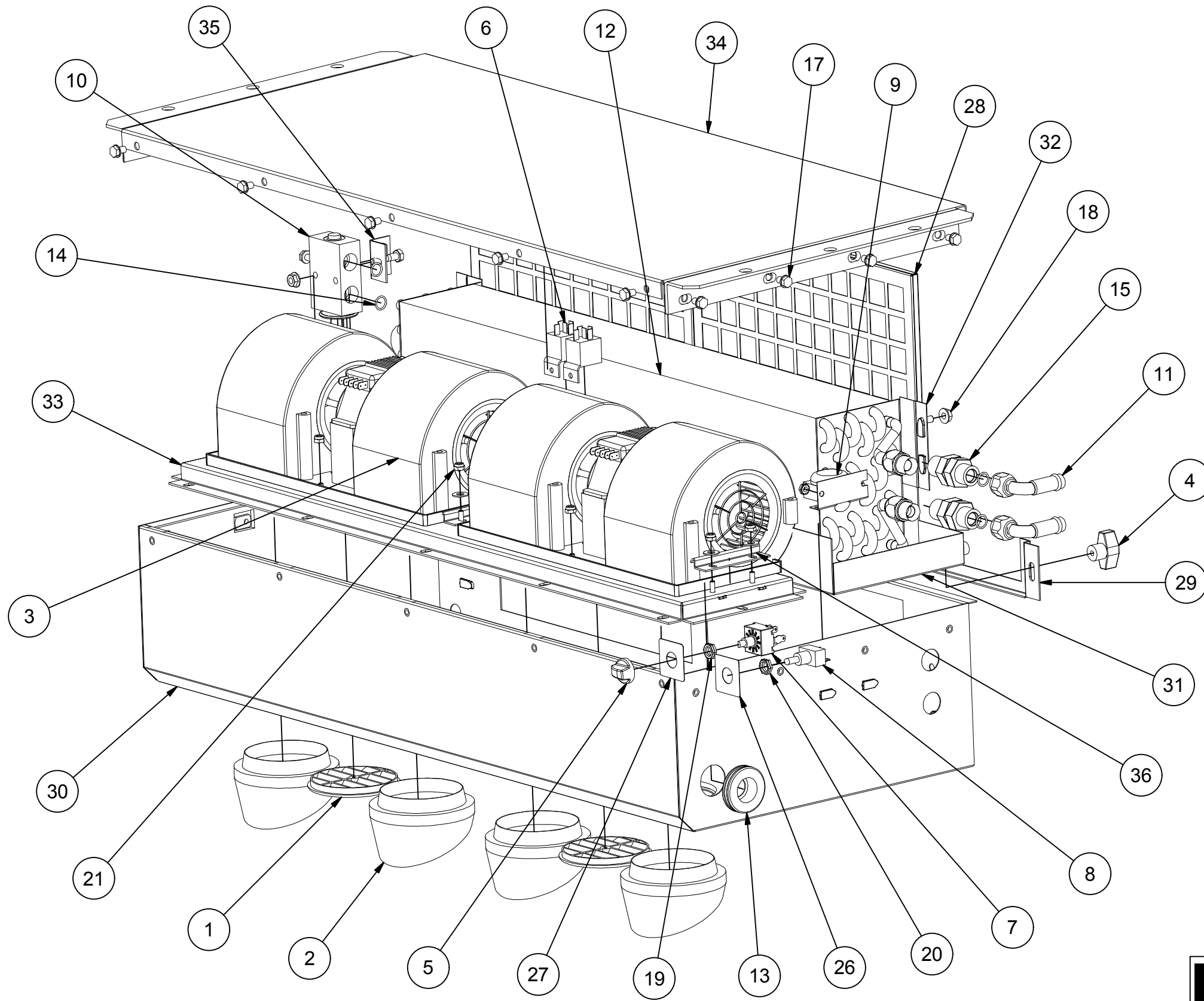
# 331-A FEATURE SPECIFICATIONS



NOTE: Preset Thermostat is installed inside unit

<b>DTAC</b> <sup>®</sup>		DTAC- HEAVY EQUIPMENT HEAT/COOL SYSTEMS	
		TITLE 331-A FEATURE SPECIFICATIONS	
MODELED JSHAW		DWG NAME 331-A Drawings.idw	
DRAWN JSHAW	5/24/2013	SIZE B	NOTE: ALL UNITS IN INCHES

# 331-A PARTS BREAKDOWN AND UNIT SPECIFICATIONS



Parts Breakdown				
ITEM	QTY	DTAC NO.	DESCRIPTION	NOTE
1	6	02-16061	3-1/2" Louver	
2	4	02-16073	3.5" Angled Louver	
3	2	02-17512 or 02-17524	12V Blower Assembly or 24V Blower Assembly	
4	2	03-00164	Knob	
5	1	03-00165	Knob	
6	2	03-01702 or 03-01704	12V Relay or 24V Relay	
7	1	03-13006	Rotary 3-Speed Switch	
8	1	03-13020	Toggle Switch	
9	1	03-14013	Preset Thermostat	
10	1	04-15004	Block Expansion Valve	
11	2	05-00301	90 Degree Heater Fitting	
12	1	07-00330	Coil, Heat/Cool 330 Unit	
13	1	09-00621	One Inch Grommet	
14	6	09-04012	#8 O-Ring	
15	2	09-50004	#8 MIO Bulkhead w Jam Nut	
16	15 ft	10-20012	Drain Hose	1
17	13	12-00003	1/4-20 X 3/8 Bolt	
18	5	12-00057	1/4-20 Whiz Nut	
19	2	12-00059	Standard Switch Nut	
20	2	12-00060	Heat/Cool Switch Nut	
21	10	12-00061	10-24 Nylock Nut	
22	2	12-00123	Kazoo Drain Restrictor	1
23	1	12-00331	Wire Harness 331	1
24	1	12-01874	1/2 Plastic Tee	1
25	3	12-01875	1/2 Plastic Elbow	1
26	1	12-50420	Face Plate - Heat/Cool	
27	1	12-50421	Face Plate - Air Increase	
28	2	14-10000	141 Intake Filter	
29	1	33-00003	Filter Brkt	
30	1	33-00007	Housing (A)	
31	1	33-00008	Drain Pan	
32	2	33-00010	Coil Brkt.	
33	1	33-00012	Blower Plenum	
34	1	33-10000	Lid 331	
35	1	50-50500	Expansion Valve Mnt Brkt	
36	4	70-51590	Blower Retainer Bracket	
-	-	Note 1	Part not shown	

UNIT SPECIFICATIONS						
BTU'S COOL	BTU'S HEAT	AIR FLOW	WEIGHT	MOTOR	CURRENT DRAW	DTAC NO.
40,000	35,000	465 CFM	76 LBS	2-12V	25 AMPS @ 13.6 VDC	331-12A
"	"	"	"	2-24V	15 AMPS @ 27 VDC	331-24A

**DTAC- HEAVY EQUIPMENT HEAT/COOL SYSTEMS**

TITLE  
331-A PARTS BREAKDOWN AND UNIT SPECIFICATIONS

DWG NAME  
331-A Drawings.idw

MODELED  
JSHAW

DRAWN  
JSHAW

5/24/2013

SIZE  
B

NOTE: ALL UNITS IN INCHES

SHEET 3 OF 4

# 331 Series Wiring Diagram

