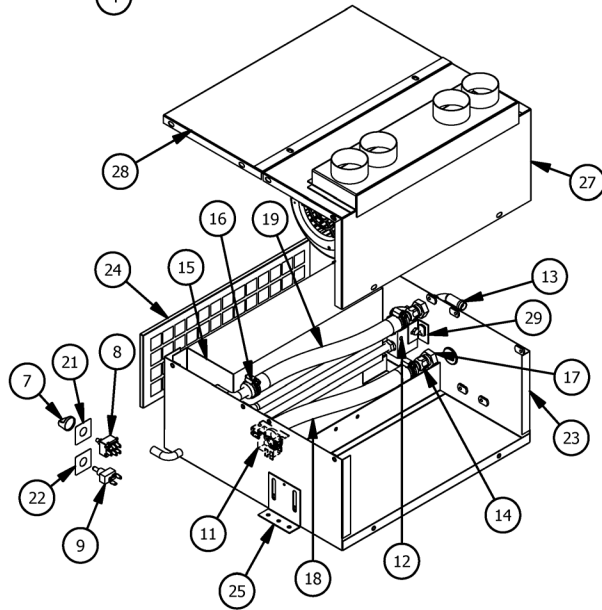
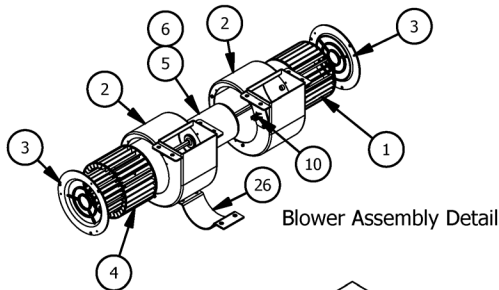




# EVAPORATORS

## 402 Series

Heat/Cool, Floor Mount



### FEATURES

- Available 12 or 24 Volt
- Four 2.5" Duct Hose Outlets
- Three Speed Blower Motor with Remote Switch
- Preset Thermostat
- E-Z Servicing by Removing Top Panel
- Removable, Washable Filter
- Steel Case with Black Powder Coat Finish

### OPTIONS

- Universal Louver Outlets P/N 410-AL4 or 420-AP2

### 402 PARTS LIST

| ITEM   | QTY 12V | QTY 24V | DTAC NO. | DESCRIPTION               | NOTE |
|--------|---------|---------|----------|---------------------------|------|
| 1      | 1       | 1       | 02-16039 | Blower Wheel C CW 701     |      |
| 2      | 2       | 2       | 02-16058 | Blower Housing            |      |
| 3      | 2       | 2       | 02-16059 | Venturi                   |      |
| 4      | 1       | 1       | 02-16400 | Blower Wheel CW 701       |      |
| 5      | 1       | 0       | 02-17018 | 12V DS 1SP Motor          |      |
| 6      | 0       | 1       | 02-17118 | 24V DS 1SP Motor          |      |
| 7      | 1       | 1       | 03-00165 | Knob                      |      |
| 8      | 1       | 1       | 03-13006 | Rotary 3-Speed Switch     |      |
| 9      | 1       | 1       | 03-13020 | Toggle Switch             |      |
| 10     | 1       | 1       | 03-13043 | Resistor 3 Prong          |      |
| 11     | 1       | 1       | 03-14013 | Preset Thermostat         |      |
| 12     | 1       | 1       | 04-15004 | Block Expansion Valve     |      |
| 13     | 2       | 2       | 05-00301 | 90 Degree Heater Fitting  |      |
| 14     | 2       | 2       | 05-50818 | Heater Fitting            |      |
| 15     | 1       | 1       | 07-00913 | Heat/Cool Coil            |      |
| 16     | 4       | 4       | 09-04000 | Hose Clamp #6/#8          |      |
| 17     | 2       | 2       | 09-50004 | #8 MIO Bulkhead w Jam Nut |      |
| 18, 19 | 2       | 2       | 10-00058 | 5/8" Heater Hose          |      |
| 20     | 1       | 1       | 12-00400 | Wire Harness              | 1    |
| 21     | 1       | 1       | 12-50420 | Face Plate - Heat/Cool    |      |
| 22     | 1       | 1       | 12-50421 | Face Plate - Air Increase |      |
| 23     | 1       | 1       | 40-00002 | Housing                   |      |
| 24     | 1       | 1       | 40-00003 | Intake Filter             |      |
| 25     | 2       | 2       | 40-00004 | Mounting Leg              |      |
| 26     | 1       | 1       | 40-00005 | TOP MOTOR MOUNT           |      |
| 27     | 1       | 1       | 40-00015 | Blower Lid                |      |
| 28     | 1       | 1       | 40-00016 | Back Lid                  |      |
| 29     | 1       | 1       | 50-50500 | Expansion Valve Mnt Brkt  |      |
| 30     |         |         | Note 1   | Not Shown                 |      |

| BTU'S HEAT | BTU'S COOL | AIR FLOW | HEIGHT | WIDTH | DEPTH | WEIGHT | REMOTE HARNESS | MOTOR | CURRENT DRAW         | DTAC NO. |
|------------|------------|----------|--------|-------|-------|--------|----------------|-------|----------------------|----------|
| 26,000     | 26,000     | 405 CFM  | 7.5"   | 18"   | 17.5" | 30 LBS | Y              | 1-12V | 22.5 AMPS @ 13.6 VDC | 402-12   |
| "          | "          | "        | "      | "     | "     | "      | "              | 1-24V | 15 AMPS @ 27 VDC     | 402-24   |

EVAPORATORS