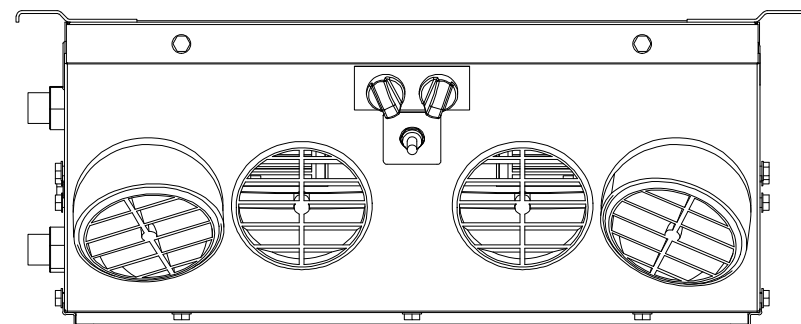
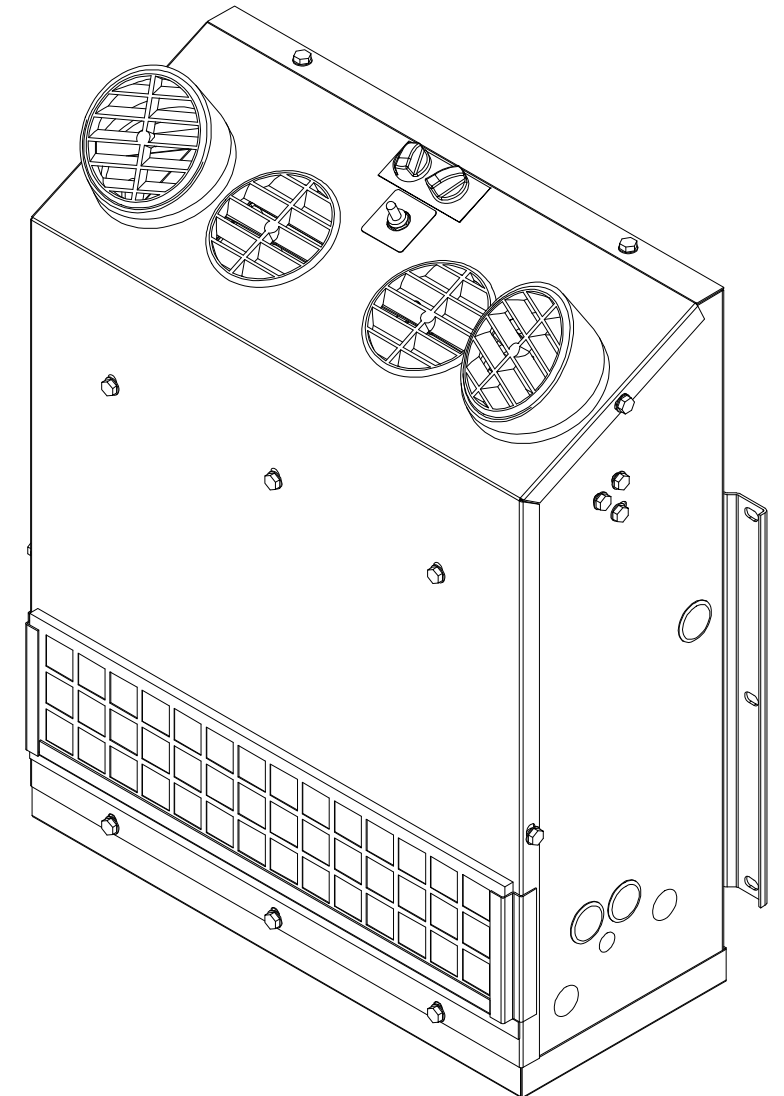
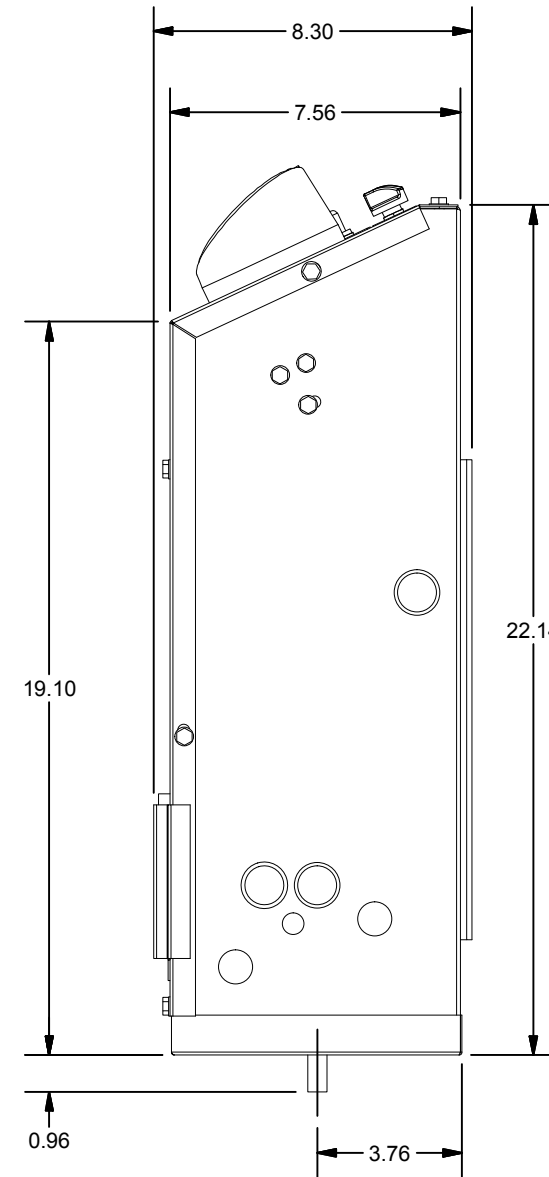
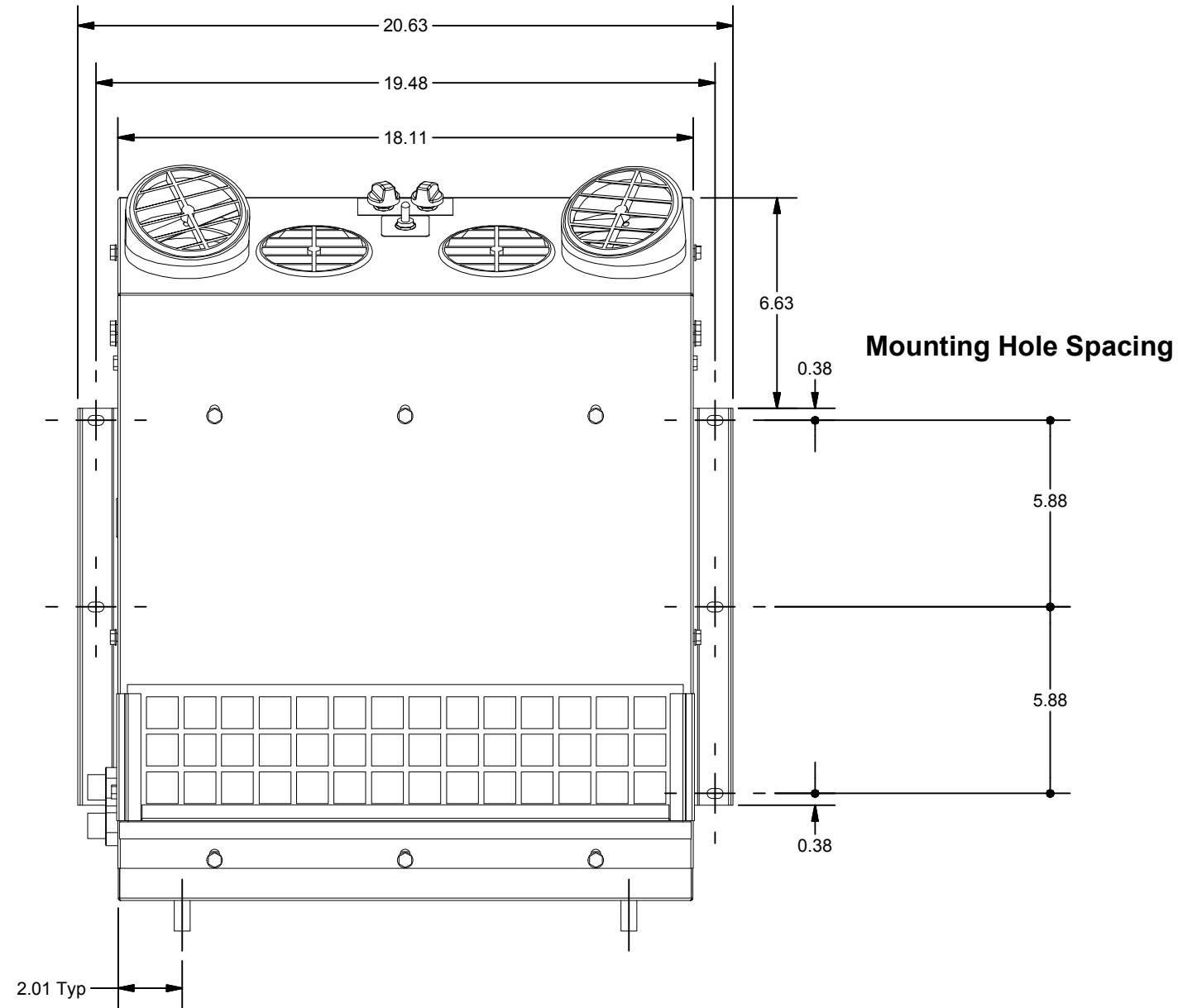


800-HC FOOTPRINT AND MOUNTING INFORMATION



Mounting Hole Spacing

Mounting Specifications	
Quantity	Description
6	5/16" x 1/2" SLOT



DTAC- HEAVY EQUIPMENT HEAT/COOL SYSTEMS

TITLE
800-HC FOOTPRINT AND MOUNTING INFORMATION

MODELED

JSHAW

DRAWN

justin

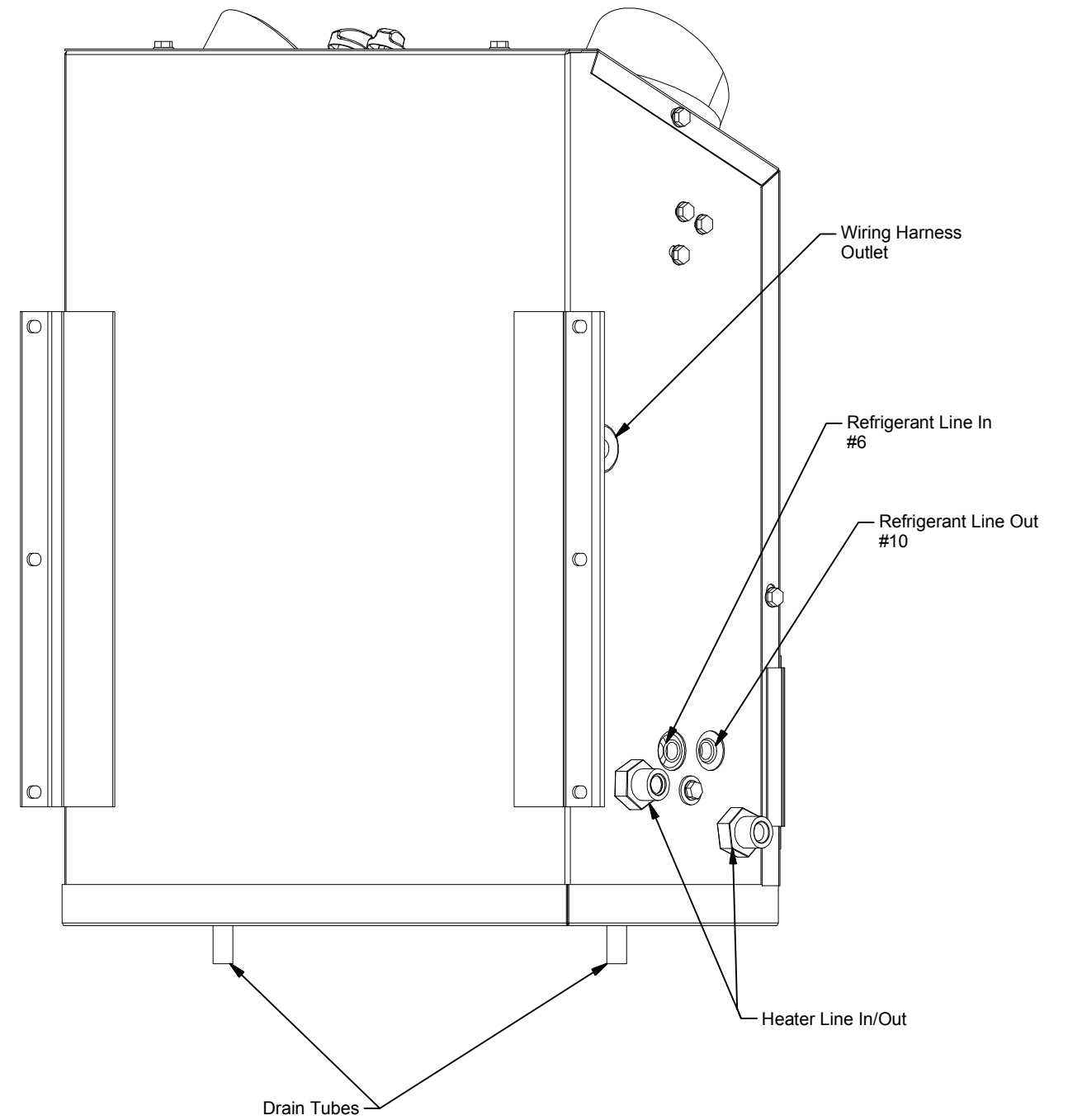
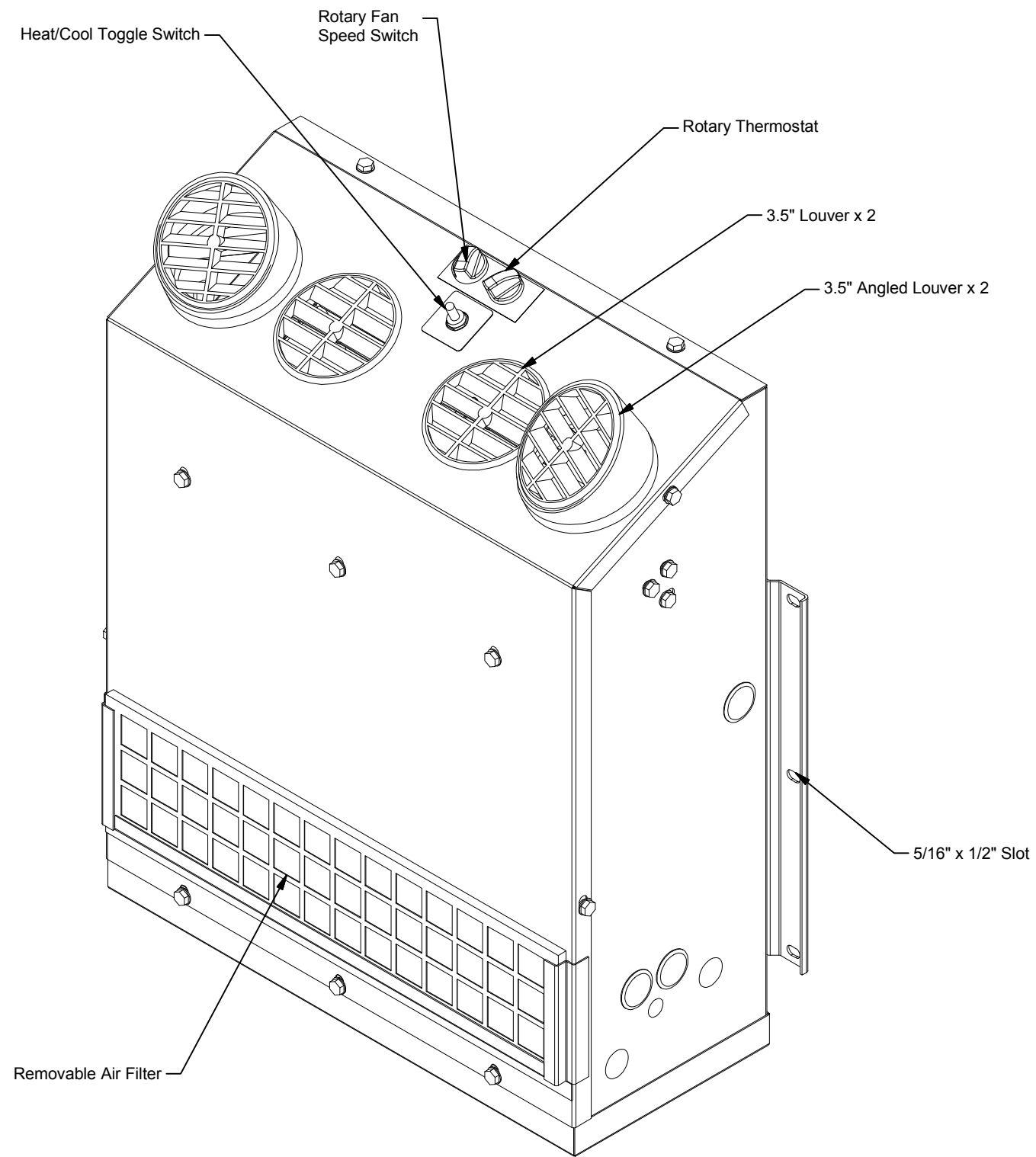
DWG NAME
800-HC Drawings.idw

SIZE
B

NOTE: ALL UNITS IN INCHES

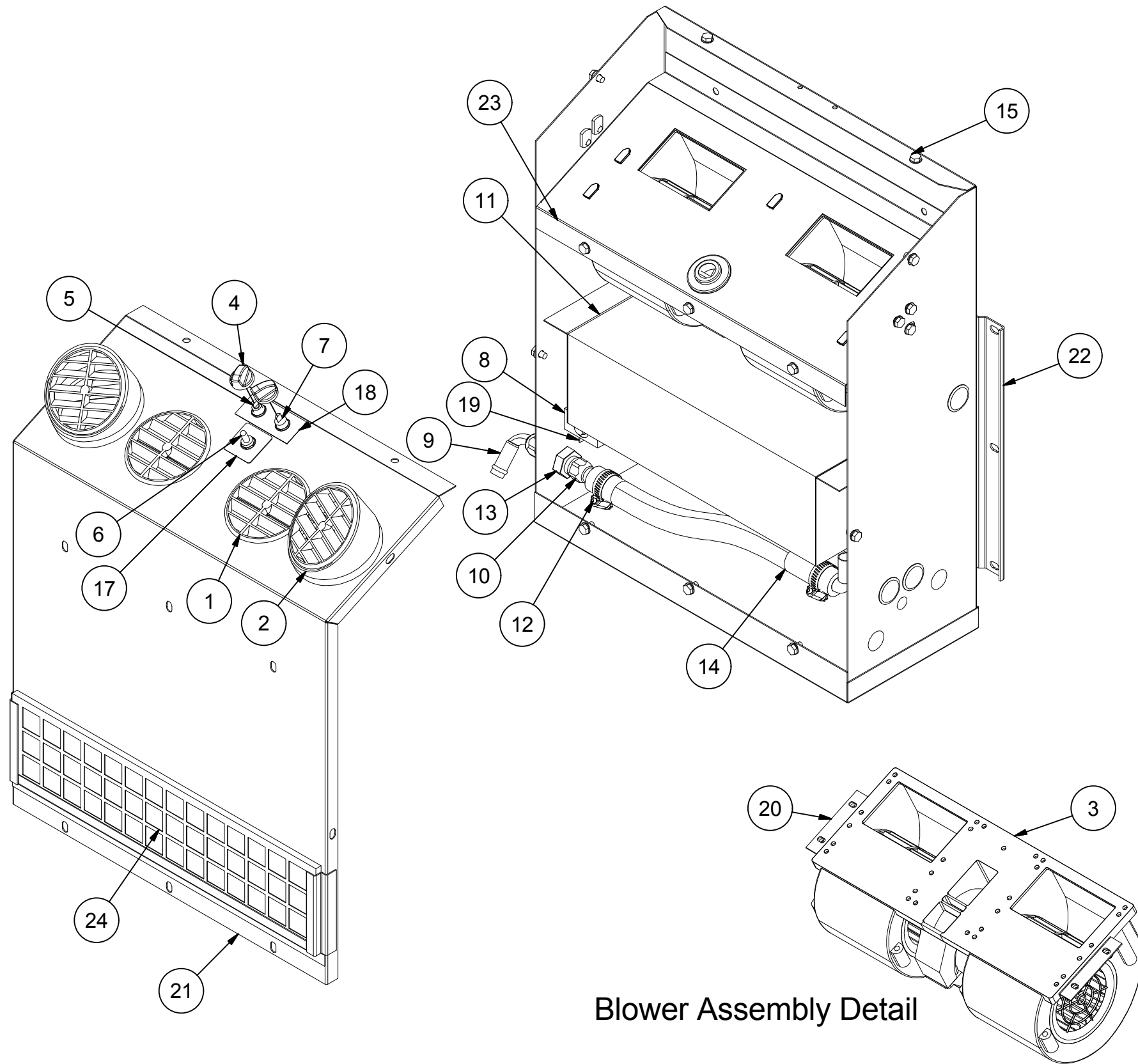
SHEET 1 OF 4

800-HC FEATURE SPECIFICATIONS



DTAC		DTAC- HEAVY EQUIPMENT HEAT/COOL SYSTEMS	
		TITLE 800-HC FEATURE SPECIFICATIONS	
MODELED JSHAW		DWG NAME 800-HC Drawings.idw	
DRAWN justin	6/11/2015	SIZE B	NOTE: ALL UNITS IN INCHES
			SHEET 2 OF 4

800-HC PARTS BREAKDOWN AND UNIT SPECIFICATIONS



Blower Assembly Detail

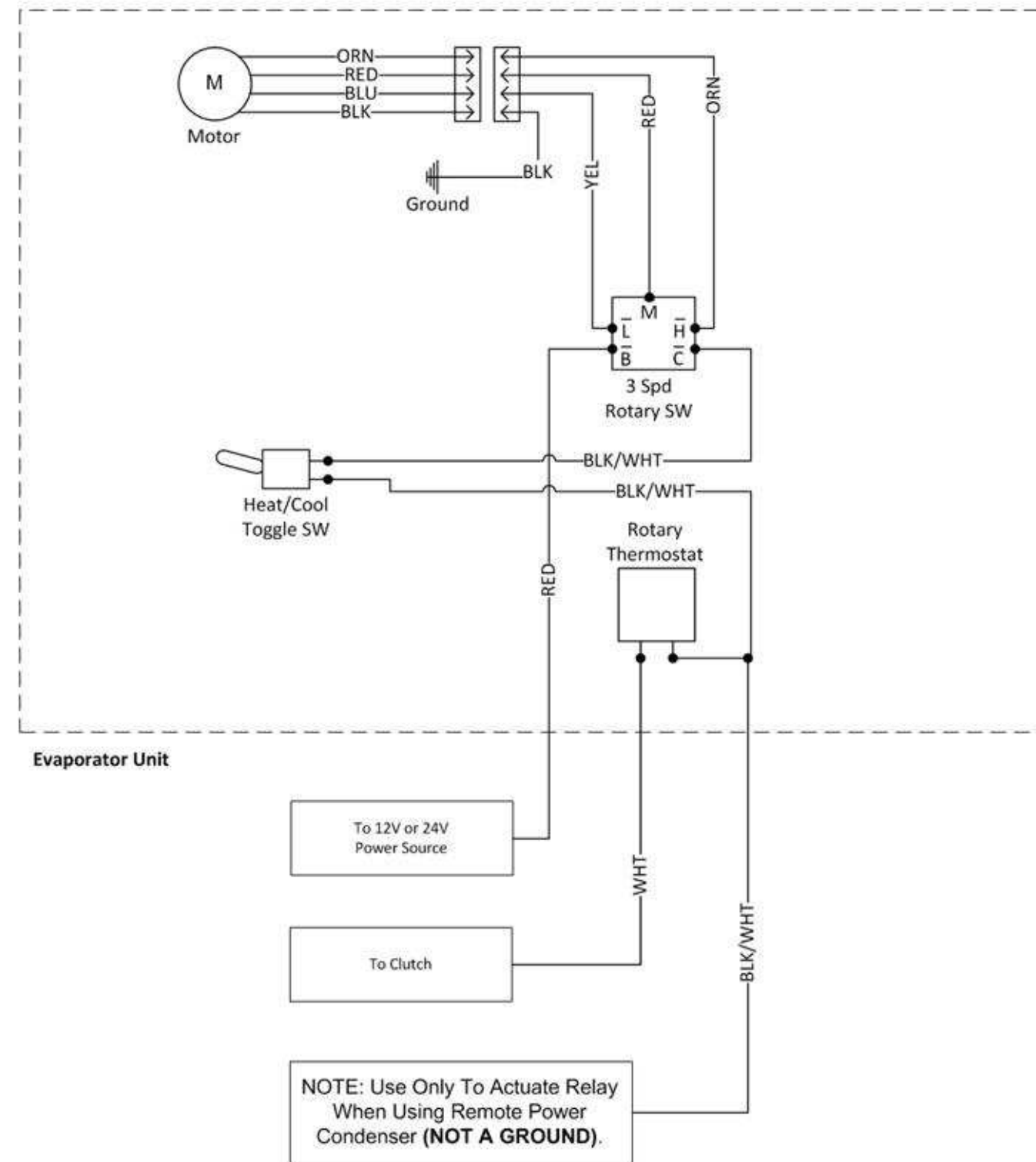
800-HC Parts List Rev.1				
ITEM	QTY	PART NUMBER	DESCRIPTION	NOTE
1	2	02-16061	3.5 in Louver	
2	2	02-16073	3.5" Angled Louver	
3	1	02-17505 02-17510	12V Blower Assembly 24V Blower Assembly	
4	2	03-00165	Knob	
5	1	03-13006	Rotary 3-Speed Switch	
6	1	03-13020	Toggle Switch	
7	1	03-14002	Rotary Thermostat	
8	1	04-15004	Block Expansion Valve	
9	2	05-00301	90 Degree Heater Fitting	
10	2	05-50818	Heater Fitting	
11	1	07-00913	Heat/Cool Coil	
12	4	09-04000	Hose Clamp #6/#8	
13	2	09-50004	#8 MIO Bulkhead w Jam Nut	
14	2	10-00058	5/8" Heater Hose	
15	19	12-00003	1/4-20 X 3/8 Bolt	
16	1	12-00801A	Wire Harness	1
17	1	12-50420	Face Plate - Heat/Cool	
18	1	12-50739	Faceplate	
19	1	50-50500	Expansion Valve Mnt Brkt	
20	2	70-51590	Blower Retainer Bracket	
21	1	80-00007	Lid	
22	1	80-00008	Rear Housing	
23	1	80-00015A	Blower Asm Plate	
24	1	80-00017	Intake Filter, 800,315	
25	1	NOTE 1	Item Not Shown	

DTAC		DTAC- HEAVY EQUIPMENT HEAT/COOL SYSTEMS	
MODELED		TITLE	
JSHAW		800-HC PARTS BREAKDOWN AND UNIT SPECIFICATIONS	
DRAWN		DWG NAME	
justin		800-HC Drawings.idw	
6/11/2015		SIZE	
		B	
		NOTE: ALL UNITS IN INCHES	
		SHEET 3 OF 4	

UNIT SPECIFICATIONS

BTU'S HEAT	BTU'S COOL	AIR FLOW	WEIGHT	MOTOR	CURRENT DRAW	DTAC NO.
26,000	26,000	460 CFM	30 LBS	1-12V	13.5 AMPS @ 13.5 VDC	800-12HC
"	"	"	"	1-24V	8 AMPS @ 27 VDC	800-24HC

800-HC Series Heat/Cool Wire Diagram



Note: Same harness used in 822-HC & 823-HC series



Manufacturer of Heavy Equipment Heat/Cool Systems
5130 Edgefield Ln, TX 76065 USA
Phone 1-800-527-9477 Fax 1-800-299-5972
www.dtac.com

12-00801A
06.11.15

SIZE
B

SHEET 4 OF 4