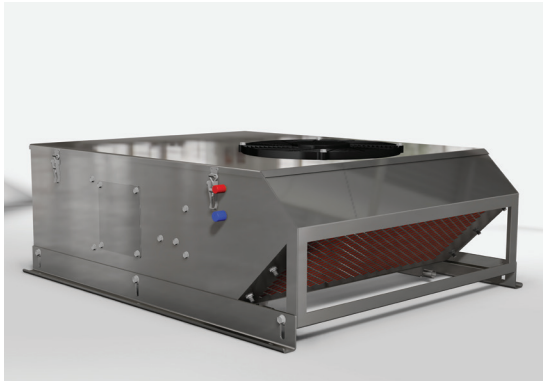




# P-9977-H

## 24VDC ROOFTOP HEATER AIR CONDITIONER

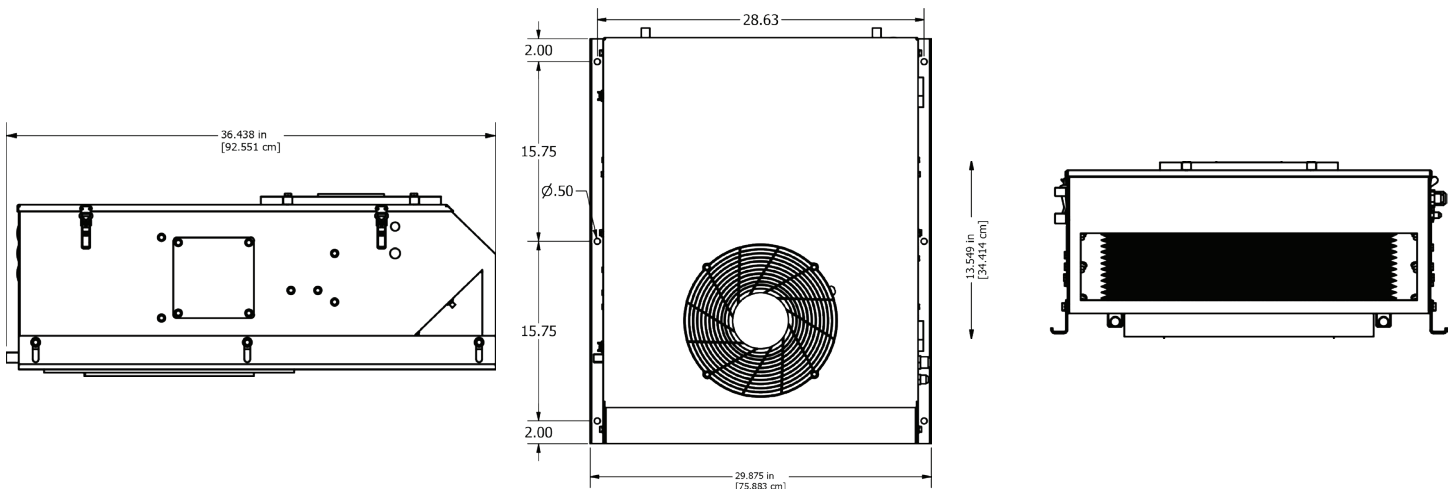


The P-9977-H is designed for rough environments and extreme hightemperature conditions found around the world!

Heavy Duty, High Capacity A/C unit for use in Oil Field, Mining, Military and Off Road heavy equipment and much more! Built to last, and designed to eliminate operator fatigue by creating a comfortable cab environment!

- 304 Stainless Steel HVAC Evap/Heater Housing
- Copper / Copper Antimicrobial Evaporator coil
- Copper/Copper High Cap Condenser Coil
- Brushless 24vdc High Capacity Blower 30,000 hrs. Expected life
- Brushless 24vdc High Capacity Condenser Fan
- Polar 24vdc Digital Controller and Relay Package!
- Regular remote engine driven compressor

- Electric 24vdc drive compressor integral system
- Integral hydraulic drive
- Integral Hydraulic Driven Compressor available in Open Center Gear Pump Style or Closed Center Pressure Compensated/Load Sense.
- 24,000 BTUS or 7.0 Kw Cooling and 30,000 BTUS or 8 KW Glycol Coolant Heating from Engine Source



¡El P-9977-H está diseñado para entornos difíciles y condiciones extremas de alta temperatura en todo el mundo! Unidad de aire acondicionado de alta capacidad y alta resistencia para uso en campos petrolíferos, Minería, equipo pesado militar y todo terreno y mucho ¡más! Construido para durar y diseñado para eliminar la fatiga del operador al creando un ambiente de cabina comfortable!

- |                                                                                                                                                                                                                                                                                                                                                                                                                                                                                                                    |                                                                                                                                                                                                                                                                                                                                                                                                                                                   |
|--------------------------------------------------------------------------------------------------------------------------------------------------------------------------------------------------------------------------------------------------------------------------------------------------------------------------------------------------------------------------------------------------------------------------------------------------------------------------------------------------------------------|---------------------------------------------------------------------------------------------------------------------------------------------------------------------------------------------------------------------------------------------------------------------------------------------------------------------------------------------------------------------------------------------------------------------------------------------------|
| <ul style="list-style-type: none"> <li>Vivienda de Evaporador / Calentador de HVAC de Acero Inoxidable 304</li> <li>Bobina del evaporador antimicrobiano de cobre / cobre</li> <li>Bobina de condensador de tapa alta de cobre / cobre</li> <li>Brushless 24vdc High Capacity Blower 30,000 hrs. Vida esperada</li> <li>Ventilador de condensador de alta capacidad Brushless 24vdc</li> <li>¡Controlador digital Polar 24vdc y paquete de relé!</li> <li>Compresor controlado por motor remoto regular</li> </ul> | <ul style="list-style-type: none"> <li>Sistema integral de compresor eléctrico 24vdc drive</li> <li>Accionamiento hidráulico integral</li> <li>Compresor hidráulico integrado disponible en estilo de bomba de engranaje de centro abierto o presión compensada de centro cerrado / sensor de carga.</li> <li>24,000 BTUS o 7.0 Kw de enfriamiento y 30,000 BTUS o 8 KW de refrigerante de glicol Calentamiento de la fuente del motor</li> </ul> |
|--------------------------------------------------------------------------------------------------------------------------------------------------------------------------------------------------------------------------------------------------------------------------------------------------------------------------------------------------------------------------------------------------------------------------------------------------------------------------------------------------------------------|---------------------------------------------------------------------------------------------------------------------------------------------------------------------------------------------------------------------------------------------------------------------------------------------------------------------------------------------------------------------------------------------------------------------------------------------------|